

Scope

Single-phase static electricity meters **AMS B3x-Fx** are determined for measurement of active energy, instantaneous active power, voltage, current and power factor in single-phase 2-wire network in direct connection.

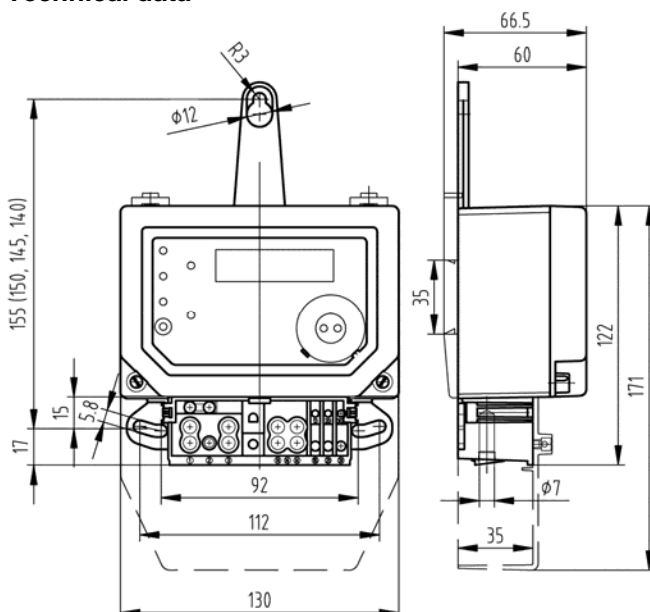
They enable record of the selected energy registers contents (total and rate) for billing period (max. 15 records). The electricity meters are equipped with internal real time clock (RTC) which is used for switching of maximum four rates. It is also possible to record events, such as, for example, voltage outage, terminal block cover removal, meter cover removal and magnetic field influence.



Highlights

- Measurement of energy, power, voltage, current, power factor ... (+A, -A, +P, -P, U, I, cos j ...);
- Removable and adjustable upper hinge is included in the package;
- Historical records of the selected registers contents created in the end of month - maximum 15 month historical records;
- Event records (about influence of magnetic field, missing voltage, covers removal...) – number and time of their occurrence;
- Passive impulse SO output;
- Welded case on customer request;
- Complies with IEC/EN 62052-11 + IEC/EN 62053-21; EN 50470-3 and with requirements of European Parliament and EC Directive 2014/32/EU (MID);
- It is supplied initially verified for billing measurement.

Technical data



Dimensional drawings

Accuracy class	A, B (MID); 2, 1 (EN 62053-21);
Reference voltage [V]	230 (-30,+15%)
Reference frequency [Hz]	50 (± 10 %)
Reference current I_{ref} [A]	5 and 10
Transient current I_{tr} [A]	0,5 and 1
Starting current I_{st} [A]	≤ 0,02 and 0,04
Minimal current I_{min} [A]	0,25 and 0,5
Maximal current I_{max} [A]	40, 60
Power consumption - voltage circuit [VA/W]	≤ 7,8 /0,8
Power consumption - current circuit [VA]	≤ 0,1
Impulse constant for test output k_{TO} [imp/kW.h]	1000
Impulse constant for impulse output k_{SO} [imp/kW.h]	100, 250, 500, 1000
Transistor output SO	24 V / 30 mA
Operating temperature	-40 °C up to +70 °C
Mean temperature coeff. [%/K]	≤ 0,04
Terminals current; voltage; auxiliary [mm]	∅ 7; ∅ 3; ∅ 3
Degree of protection	IP53
Meter dimensions w x h/h' x d [mm]	130 x 122/171 x 60
Fixing holes distance w x h [mm]	92-112 x 115-155
Weight [kg]	≤ 0,6

Marking of meters

AMS B3x₅-FA1SDT

AMS B3 type designation

x₅ overload capacity: **4** - 400 %, **6** - 600 %, **8** - 800 %, **A** - 1000 %, **B** - 1200 %, **D** - 1600 %, **E** - 2000 %

F basic version: multifunctional electricity meter with LCD and RTC

A measured energy: active

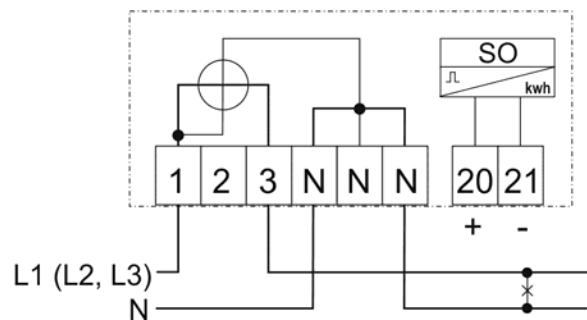
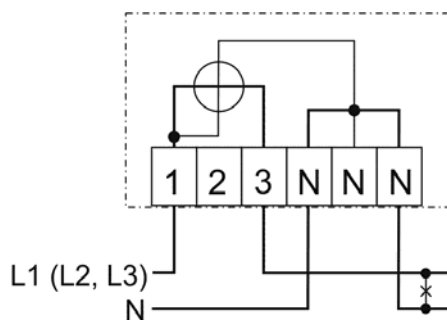
1 network connection: single-phase 2-wire

S current converter: shunt

D terminal block version: DIN, asymmetrical connection

T special modules: procesor type

Connection diagrams - examples



Ordering data

- Type and version marking;
- Reference voltage and current range I_{ref}/I_n , I_{max} ;
- Reference frequency;
- Number of units;
- Required delivery terms.